



Matrox *CronosPlus* >>

Ultra low-cost frame grabber for standard analog monochrome or color video acquisition.



Key features

- > video capture board for PCI form factor
- > captures from NTSC, PAL, RS-170 and CCIR video sources
- > connect up to 4 CVBS or 1 Y/C input(s)
- > trigger input
- > 7 TTL auxiliary I/Os¹
- > 32-bit/33MHz PCI-bus master
- > available software is sold separately and includes Matrox Imaging Library (MIL) /ActiveMIL, MIL-Lite/ActiveMIL-Lite
- > support for Microsoft® Windows® 2000 and Windows® XP
- > third-party support for Linux

Cost cutting video capture solution

Matrox *CronosPlus* is an entry-level frame grabber for extremely cost sensitive imaging applications. Utilizing a single highly integrated off-the-shelf chip, it delivers exceptional value and performance for standard analog monochrome or color video capture. Featuring simple standard connections, Matrox *CronosPlus* provides the flexibility for additional cost savings.

Real-time capture to system or display

Matrox *CronosPlus* can transfer acquired images to either system (host CPU) memory for processing or display (graphics card) memory for video-in-a-window at live video rates.

Video formatting

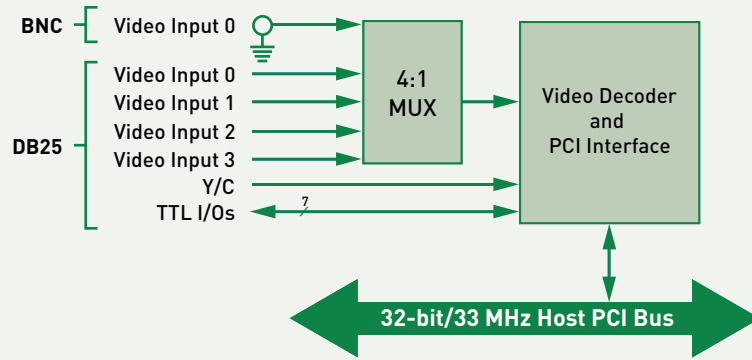
Video images can be formatted in real-time prior to transfer to the host system or display. Formatting features include cropping (ROI capture) arbitrary down-scaling and vertical/horizontal flipping.

Software

Software support is available for Microsoft® Windows® 2000 and Windows® XP, and consists of Matrox Imaging Library (MIL)/ActiveMIL or MIL-Lite/ActiveMIL-Lite development toolkits for creating custom applications.



Matrox CronosPlus



Specifications

Acquisition

- analog composite (CVBS) or Y/C NTSC/PAL
- analog RS-170/CCIR
- automatic gain control (AGC)
- BGR32 packed, RGB24 packed, YUV422 packed and MONO8 pixel formats
- Opto trigger input (sync. to video)
- 7 TTL auxiliary inputs and outputs¹
- connect up to 4 CVBS or 1 Y/C

Formatting

- input cropping (ROI capture)
- vertical/horizontal flip
- arbitrary downscaling to 1/64th of a field

Host interface

- 32-bit/33 MHz PCI bus master
- interrupts for start and end of field, frame and sequence capture
- universal 32-bit card edge connector

Connectors

- 1 BNC connector for composite video input
- DB25 for TTL I/Os, 4 composite video inputs, Y/C input and trigger

Dimensions and environmental information

- 13.7 cm L x 9.1 cm H (5.4" x 3.6")²
- operating temperature: 0° C to 55° C (32° F to 131° F)
- relative humidity: up to 95% (non-condensing)
- FCC/CE class B
- RoHS-compliant

Corporate headquarters:

Matrox Electronic Systems Ltd.
1055 St. Regis Blvd.
Dorval, Quebec H9P 2T4
Canada
Tel: +1 (514) 685-2630
Fax: +1 (514) 822-6273

Software Environment

- drivers for Microsoft® Windows® 2000 and Windows® XP
- programmed using MIL/MIL-Lite (.C DLLs) with Microsoft® Visual C++® (.NET 2003)
- programmed using ActiveMIL /ActiveMIL-Lite (ActiveX controls) with Microsoft® Visual Basic .NET 2003 or C++® .NET 2003

Ordering Information

Hardware

Part number	Description
CRONOSPLUS*	Standard analog color/monochrome frame grabber.

Ordered separately: Software

Part number	Description
MIL LITE 8 WIN	MIL-Lite board control library for Microsoft® Windows® 2000 and Windows® XP (see MIL-Lite brochure for more details).
MIL 8 WIN P or U	Matrox Imaging Library (MIL) for Microsoft® Windows® 2000 and Windows® XP (see MIL brochure for more details).
INSPECTOR 8 P or U ³	Matrox Inspector interactive Windows® imaging software.

Notes:

1. Three inputs and four outputs.
2. Dimensions from bottom edge of goldfinger to top edge of board.
3. Contact local representative or Matrox Imaging Sales for availability.

For more information, please call: 1-800-804-6243 (toll free in North America) or (514) 822-6020 or e-mail: imaging.info@matrox.com or <http://www.matrox.com/imaging>

matrox

All trademarks by their respective owners are hereby acknowledged. Matrox Electronic Systems, Ltd. reserves the right to make changes in specifications at any time and without notice. The information furnished by Matrox Electronic Systems, Ltd. is believed to be accurate and reliable. However, no responsibility license is granted under any patents or patent rights of Matrox Electronic Systems, Ltd. Windows and Microsoft are trademarks of Microsoft Corporation. MMX and the MMX logo are registered trademarks of Intel Corporation. Printed in Canada, 07-01-2006. **51E-5292-D**